

# XR CLUTCHES

## XTREME RELEASE FUNCTION

LINE CONTROLS

### CLUTCH CLOSED

Clutch Position closed  
Held shut with the stop clip

### CLUTCH ENGAGED

Clutch still holding rope with  
lever in release position, ready  
to give maximum leverage

### CLUTCH DISENGAGED

Clutch cam open with rope able  
to run free

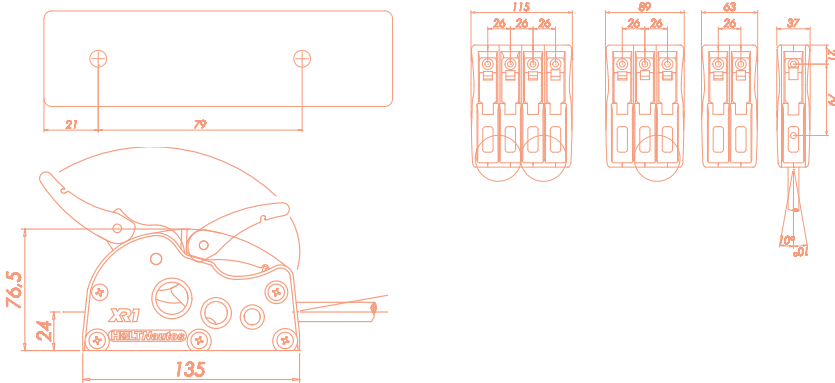
### XR1 CLUTCH RANGE

HT95081

HT95082

HT95084

HT95085



Hole fixing centres match other brands, allowing easy upgrade to the XR Clutches

Part No.	Description	Line Size (mm)	Max SWL (kg)	Hole Centres (mm)
HT95081	Single	6-12	550	79
HT95082	Double	6-12	550	79
HT95084	Triple	6-12	550	79
HT95085	Quad	6-12	550	79

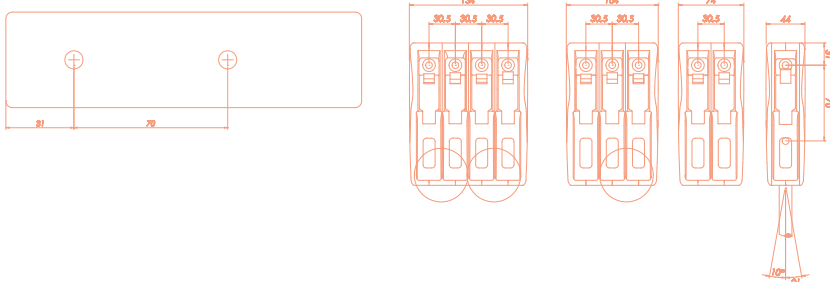
### XR2 CLUTCH RANGE

HT95086

HT95087

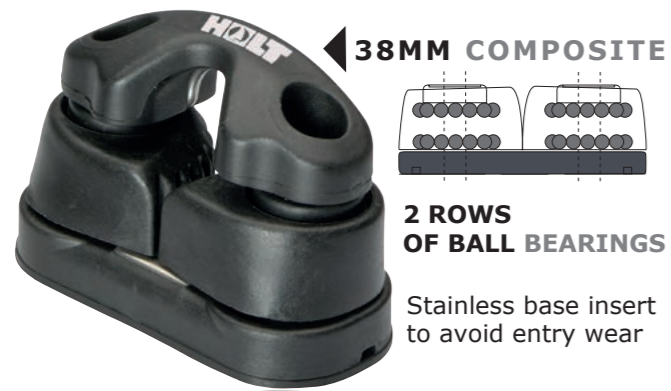
HT95088

HT95089



Part No.	Description	Line Size (mm)	Max SWL (kg)	Hole Centres (mm)
HT95186	Single	10-16	700	70
HT95187	Double	10-16	700	70
HT95188	Triple	10-16	700	70
HT95189	Quad	10-16	700	70

# CAM CLEATS & ACCESSORIES



## 38MM RANGE



## 27MM RANGE

### 27MM COMPOSITE

Advanced metal replacement resin. Greater resistance to heat and UV stable. Lighter and stronger. Improved Jaw profile and vertical pillar design - Stronger and easier to release



Part No.	Line Size (mm)	Hole Centres (mm)	Fixing Size (mm)
HT91025	5 - 10	38	M5
HT91035	5 - 12	38	M5
HT91185	5 - 12	38	M5
HT91077	5 - 12	38	M5
HT91054	5 - 12	38	M5
HT91019	-	38	M5
HT.293	-	38	M5
HT91020	5 - 12	38	M5
HT91026	2 - 7	27	M4
HT91182	2 - 7	27	M4
HT91078	2 - 7	27	M4
HT91233	2 - 7	27	M4
HT91018	-	27	M4
HT91021	2 - 7	27	M4
HT4388	2 - 7	27	M4
HT91013	5 - 10	70	M5
HT4077	4 - 8	40	M5

# MAINSHEET & SWIVEL JAMMERS

**CLEAT ANGLE**  
Cleat angle can be altered using a 27mm angled wedge (HT91018)

**WIRE CORE STRUCTURE**  
Wire fairlead continues under cleat giving improved strength

**COMPOSITE BODY**  
Glass Nylon body gives a light-weight rigid structure to give precise cleating without play



**NEW**  
**WIRE COMPOSITE SWIVEL**

**PIN STOP SWIVEL**  
Rotation can be set using a pin stop giving the option of 360/45/60 or 80 degrees rotation



## Mainsheet Jammers



## 360 DEGREE BASES



## Springs / Swivel Mounts



Part No.	Usage	Hole Centres (mm)	Fix Hole Size (mm)	Max Work Load (kg)	Weight (g)
HT4266	Sports Boats, Etchell, Musto Skiff	4 x 20	M5	400	360
HT4266COMP	420, RS Feva, RS200	4 x 20	M5	400	330
HT4366	Etchell, Fireball, Merlin Rocket	4 x 20	M5	300	420
HT5466	Jib Leads, Control Lines, Sheets	3 x 26	M5	160	214
HT5566	Jib Leads, Control Lines, Sheets	3 x 26	M5	235	190
HT5766	Control Lines, Halyards	3 x 26	M5	165	147
HT4867	Jib sheets (4-6mm)	3 x 26	M5	100	92
HT4967	Jib sheets (4-9mm)	3 x 26	M5	130	92
HT1034	-	-	-	-	-
HT4033	-	-	-	-	-
HT4034	-	-	-	-	-
HT4222	Mainsheet Swivel, Sheet Leads	3 x 33	M4	300	28
HT4422	Mainsheet Swivel, Sheet Leads	3 x 33	M4	300	26